

CO-LIGHT MINI LED

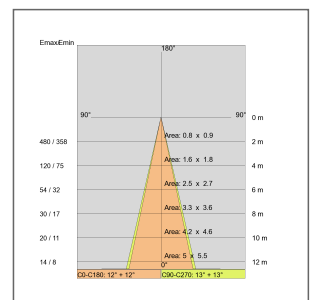
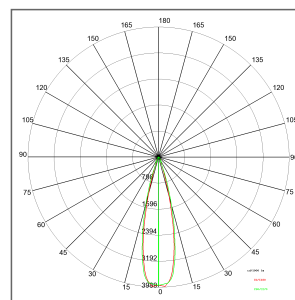
COD: 2819/LBC/30

Use:
inside, led
Installation:
Ceiling recessed
Recessed hole:
Recessed hole diam.85 mm. Recessed thickness 5-30 mm
Fixing system:
Steel wire's spring
Body/structure:
Steel body
Coating:
Epoxy powder coating for inside use
Colour:
White
Optic/reflector:
Metacrylate LED lens
Control gear:
Not included; to be ordered separately

Current: 350mA - 700mA dc
Beam angle: Simmetric flood beam 30 Degrees
Insulation class: Insulation class 3
Weight: 0,500 kg
IP grade: 20/40
Glow wire: [650 °C]
Lamp included: Yes
Kind of led: Power LED
Colour temperature: 3000K
CRI: 80

Notes:
Module powered 6 x 1.2W 350mA/2w 500mA on request

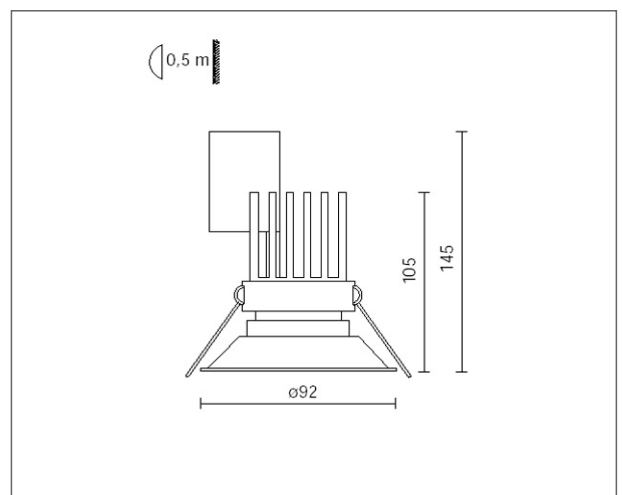
Review board: 04-09-2012



Lamp: 1 x LED +/- 3.60 / 7.50 W



IP 20/40



CO-LIGHT MINI LED

COD: 2819/LBC/30

